

WSA310

Three Phase Smart
Prepayment Meter



Overview

WSA310 is a BS structured 3-phase smart prepaid meter with LCD for split prepaid metering systems. It complies with STS and DLMS standards and uses multiple technical solutions to communicate with AMI or AMR systems.

Highlights

1. Measuring four quadrant reactive
2. Dual-Circuits measuring
3. Up-link communicate with DCU by GSM/3G/CDMA
4. Down-link communicate with CIU by PLC/RF/MBUS
5. Easy to uplink upgrade by Hot swappable module
6. Support Firmware remote update
7. STS Prepayment by UIU or remote Token sending
8. STS Prepayment supports STS 1.0 or STS2.0(CTS)
9. UIU support transfer Token by different media such as keyboard or RF card.
10. Relay Control(Tamper\Debt\Power Control\Remote)
11. By Pass detect
12. Battery replaceable
13. Meter with LCD to display meters parameters



Three Phase Smart Prepayment Meter



Main Feature

Measurement

1. Active/Reactive Energy Measurement in both direction
2. Instantaneous value measurement
3. Maximum demand/Cumulative demand
4. Power Measurement including Active power/ Reactive power/Apparent power

LCD Display

1. Display content configurable
2. Large (15mm x 0.6mm) digit LCD display, easy for reading
3. LCD backlight

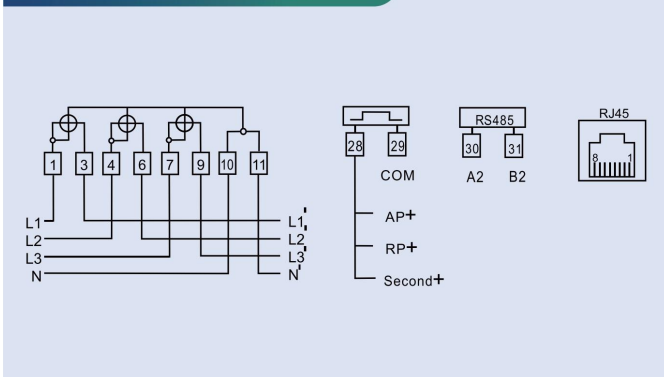
Self-Diagnostic and Detection

1. Real time clock(RTC) indicator
2. Non-volatile memory status indicator
3. All display segments self-diagnostic check
4. Battery capacity indicator
5. Replaceable Battery
6. Display of the presence of all voltages
7. Display LCD in power-off condition by button
8. Tampering Proof and detection function
9. Record the cumulative number of power outages
10. Power Quality Monitor: Under Voltage, Over Voltage, etc.

Technical Specifications

Voltage	Reference	3x220V/230V/240V
	Operating range	0.7-1.3Un
Frequency		50Hz or 60Hz
Current	Basic Current (Ib)	5A, 10A, 20A
	Maximum Current (Imax)	40A, 60A, 80A, 100A
Accuracy	Active(and apparent)	CL0.5
	Reactive	CL2.0
Typical Power Consumption	Voltage circuit active / apparent power at Un	≤2W
	Current circuit apparent power at Ib	≤10VA
Degree of Protection		IP54
Weight of Meter		1.5kg
Dimensions		270mm (L) ×170mm (W) ×80mm (H)
Meter Service Life		>10years

Connection diagram



Dimension diagram

